



F2450 medium wood stove shown with black cast iron door & pedestal.

### FEATURES

- EPA 2020 certified
- Large fire viewing area
- Wood finished handle
- Heavy duty cast hinges
- Front mounted air adjustment
- Air operating tool
- High performance brick-lined firebox
- Clean glass airwash system
- Rear heat deflector
- Mobile home and alcove approved
- Closest clearances in the industry

### OPTIONS

- Cast iron door with heat radiating ceramic glass in black or nickel accent
- Pedestal base
- Bottom heat shield with cast iron legs in black or brushed nickel
- Ash drawer
- 2 speed blower
- Convector airmate
- Outside air kit

### SPECIFICATIONS

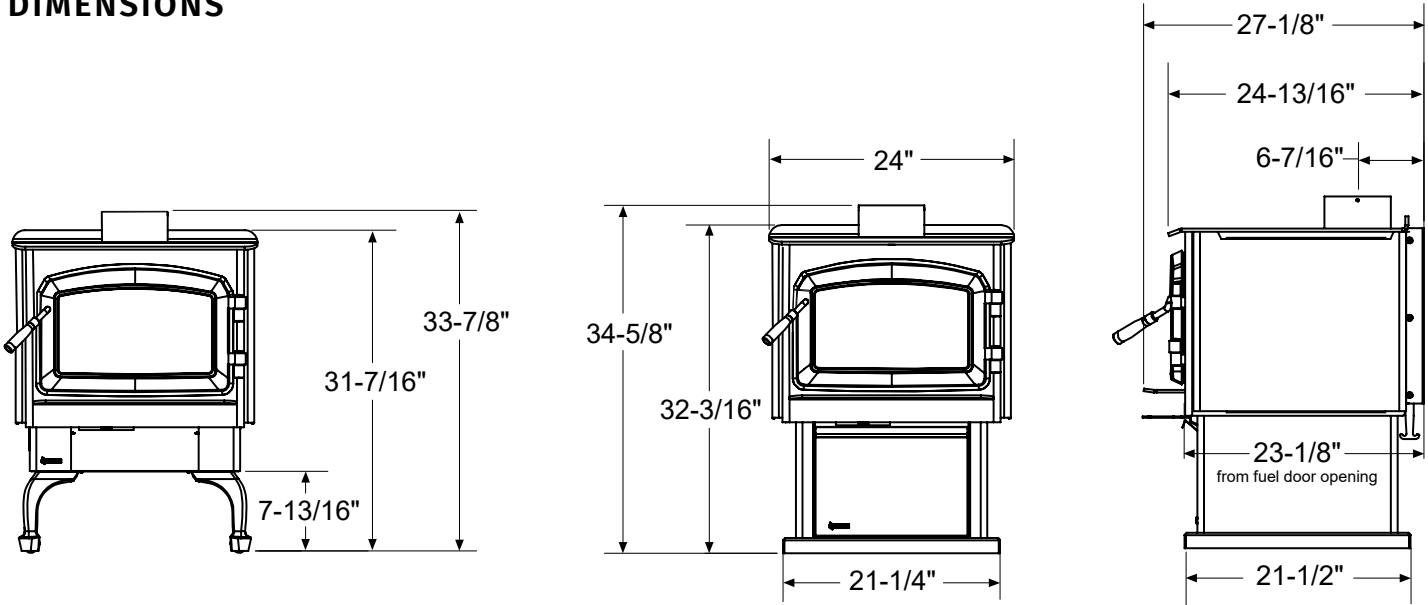
Maximum BTU*	75,000
Typical sq. ft. heated**	1,000 - 2,200
Efficiency (EPA LHV)	78%
Max log size	18"
Burn time	Up to 10 hours
Emissions	2.3 g/h
Firebox size	2.3 cu. ft.
Flue size	6"

\* Length of burn time and BTU range depend on type of wood, moisture content, climate conditions and installation.

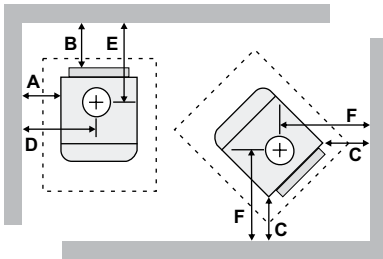
\*\* Varies depending on home floor plan, house layout, heat loss of the house and quality/moisture content of wood.



## DIMENSIONS

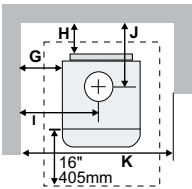


## CLEARANCES



NOTE: Be aware that local Codes and Regulations may override some clearances listed in this manual. Check with your local inspector. Clearances to combustibles are for the safety of the property. To avoid overheating and damaging the appliance these clearances should be maintained for non-combustibles also.

RESIDENTIAL INSTALLATION "C" VENT (SINGLE WALL)		FROM UNIT		FROM CORNER		FROM FLUE CENTER-LINE	
		A	B	C	D	E	F
F2450	with AirMate	16"	8-1/2"	7"	28"	13-1/2"	19"
	with Rear Deflector	16"	10-1/2"	7"	28"	15-1/2"	19"



### Minimum Alcove Clearance to Combustible Materials

The Regency® Freestanding models have been alcove approved and must be installed with a listed double wall connector to the ceiling level. Minimum alcove ceiling height: 83"

MINIMUM ALCOVE CLEARANCE		FROM UNIT		FROM FLUE CENTER-LINE		FROM WALL
		G	H	I	J	K
F2450	with AirMate	15"	7"	27"	13-1/2"	54"
	with Rear Deflector	15"	9"	27"	15-1/2"	54"

For installation, framing and clearances see manuals on our website: [www.regency-fire.com](http://www.regency-fire.com)

NOTE: All product specifications are subject to change without notice. Before installing refer to the relevant product manual for full and up-to-date information.

[regency-fire.com](http://www.regency-fire.com)