



F1150 small wood stove shown with nickel accent door & bottom heat shield with black cast iron legs.

FEATURES

- EPA 2020 certified
- Large fire viewing area
- Wood finished handle
- Heavy duty cast hinges
- Front mounted air adjustment
- Air operating tool
- High performance brick-lined firebox
- Clean glass airwash system
- Heavy gauge steel log retainers
- Rear heat deflector
- Mobile home and alcove approved
- Closest clearances in the industry

OPTIONS

- Cast iron door with heat radiating ceramic glass in black or nickel accent
- Pedestal base
- Bottom heat shield with cast iron legs in black or brushed nickel
- Ash drawer
- Variable speed blower
- Convector airmate
- Outside air kit

SPECIFICATIONS

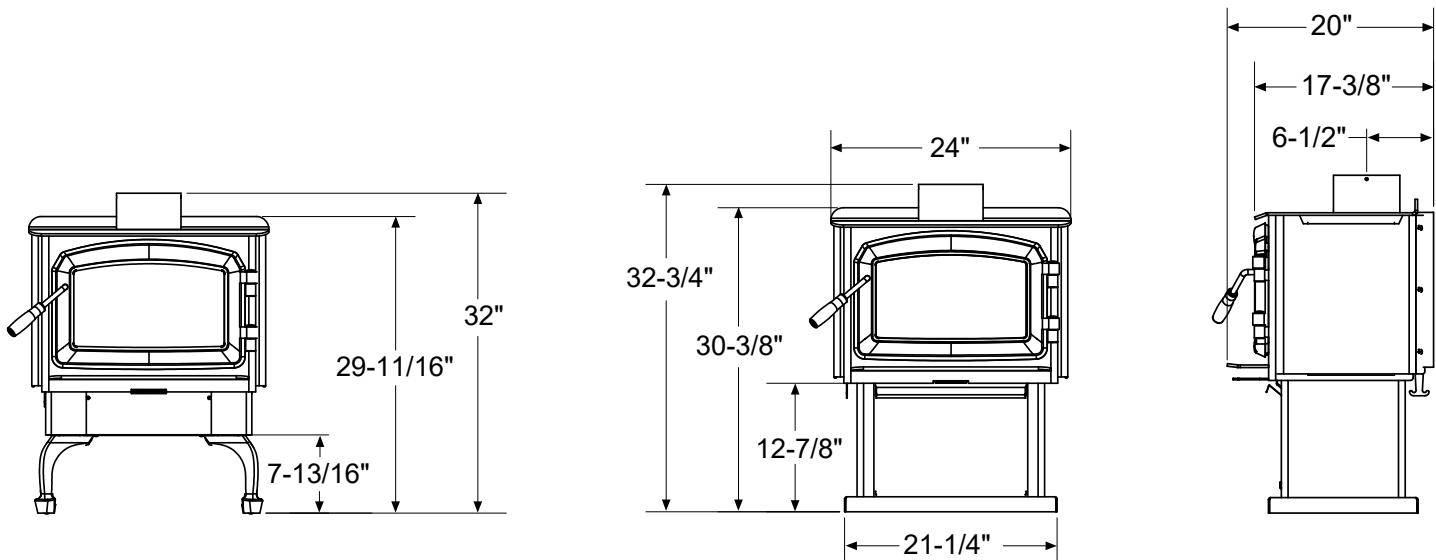
Maximum BTU*	55,000
Typical sq. ft. heated**	600 - 1,200
Efficiency (EPA LHV)	75%
Max log size	18"
Burn time	Up to 8 hours
Emissions	1.7 g/h
Firebox size	1.3 cu. ft.
Flue size	6"

* Length of burn time and BTU range depend on type of wood, moisture content, climate conditions and installation.

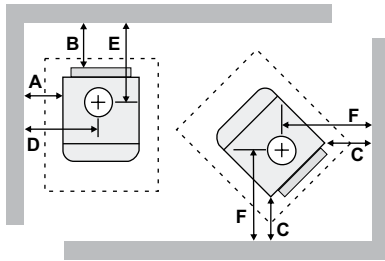
** Varies depending on home floor plan, house layout, heat loss of the house and quality/moisture content of wood.



DIMENSIONS

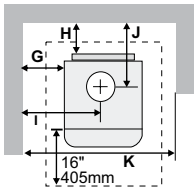


CLEARANCES



NOTE: Be aware that local Codes and Regulations may override some clearances listed in this manual. Check with your local inspector. Clearances to combustibles are for the safety of the property. To avoid overheating and damaging the appliance these clearances should be maintained for non-combustibles also.

RESIDENTIAL INSTALLATION "C" VENT (SINGLE WALL)		FROM UNIT		FROM CORNER		FROM FLUE CENTER-LINE	
		A	B	C	D	E	F
F1150	with AirMate or with Rear Deflector	13"	10-1/2"	9"	25"	17-1/16"	21"



Minimum Alcove Clearance to Combustible Materials

The Regency® Freestanding models have been alcove approved and must be installed with a listed double wall connector to the ceiling level. Minimum alcove ceiling height: 83"

MINIMUM ALCOVE CLEARANCE		FROM UNIT		FROM FLUE CENTER-LINE		FROM WALL
		G	H	I	J	K
F1150	with AirMate or with Rear Deflector	11"	7"	23"	13-5/8"	46"

For installation, framing and clearances see manuals on our website: www.regency-fire.com

NOTE: All product specifications are subject to change without notice.
Before installing refer to the relevant product manual for full and up-to-date information.

[regency-fire.com](http://www.regency-fire.com)